

Parts and Instruction Manual

Tsunami Wet/Dry Vacuum



PREFACE

Thank you for your purchase of the new industry standard for wet dry vacuums. Minuteman International takes great pride in offering the most dependable, reliable and best value in industrial vacuums, power sweepers and sweeper / scrubbers. We set the standard.

Our Customer Service Department would like to hear from you. If you see any errors, omissions or something that needs clarification in this Parts Catalog please let us know. We are working hard towards continually improving our processes to bring you the best you deserve. Please copy the form below, fill out and comment on how you found our catalog.

Thank you!

The Minuteman International Team

Name: _____

Title: _____

Company Name: _____

Address: _____

Country: _____

Type of equipment or model number: _____

Comments: _____

Please return to:

Customer Service Manager
Minuteman International, Inc.
14N845 U.S. Route 20
Pingree Grove, Illinois 60140 USA

Phone: (800) 323-9420

Email: tech@minutemanintl.com

Technical Specifications

Model **Tsunami**
Models: **T16WD, T16W**

TSUNAMI	T16WD
Vacuum Motor	1.3 HP
Primothene Squeegee	24"
Water Lift	95"
CFM	125
Tank Size	16 Gallons
Decible Rating	74
Weight	65 lbs. / 240 lbs. full
Warranty	Parts 5 years / 3 year labor / 12 year body
Voltage	115v
Electric Draw	13 amps

For Safety When Servicing or Maintaining Machine

- Stop on level surface.
- Disconnect the power to the machine.
- Avoid moving parts. Do not wear loose jackets, shirts, or sleeves when working on machine.
- Authorized personnel must perform repairs and maintenance. Use Minuteman supplied replacement parts.

Table of Contents

Technical Specifications.....	3
Important Safety Instructions	6
Machine Overview	8
Operating Instructions.....	9
Squeegee Blade Replacement	9
Exploded Views	10
Recovery Tank Group	10
Tank Cover Assembly	14
Squeegee Assembly	16
Wet/Dry Tool Kit (Included with T16WD).....	18

Important Safety Instructions

COMMERCIAL USE ONLY

When using an electrical appliance, basic precautions should always be followed, including the following:

READ ALL INSTRUCTIONS BEFORE USING

WARNING: To reduce the risk of fire, electric shock, or injury:

- Do not leave appliance when plugged in. Unplug from outlet when not in use and before servicing.

WARNING

To reduce the risk of electrical shock – Do not expose to rain. Store indoors.

- Do not allow to be used as a toy. Close attention is necessary when used near children.
- Use only as described in this manual. Use only the manufacturer's recommended attachments.
- Do not use with damaged cord or plug. If appliance is not working as it should, has been dropped, damaged, left outdoors, or dropped into water, return it to an authorized service center.
- Do not pull or carry by cord, use cord as handle, close a door on a cord, or pull cord around sharp edges or corners. Do not run appliance over cord. Keep cord away from heated surfaces.
- Do not unplug by pulling on the cord. To unplug grasp the plug, not the cord.
- Do not handle the appliance with wet hands.
- Do not put any object into the openings. Do not use if any opening is blocked; keep free of dust, lint, hair, and anything that may reduce air flow.
- Keep hair, loose clothing, fingers, and all parts of the body away from openings and moving parts.
- Do not pick up anything that is burning or smoking, such as cigarettes, matches, or hot ashes.
- Do not use without dust bag and/or filters in place.
- Turn off all controls before unplugging.
- Use extra care when cleaning on stairs.
- Do not use to pick up flammable or combustible liquids such as gasoline or use in areas where they may be present.
- Connect to a properly grounded outlet only. See grounding instructions.

SAVE THESE INSTRUCTIONS

Inspection

Carefully unpack and inspect your machine for shipping damage. Each unit is tested and thoroughly inspected before shipment, and any damage is the responsibility of the delivery carrier who should be notified immediately.

WARNING

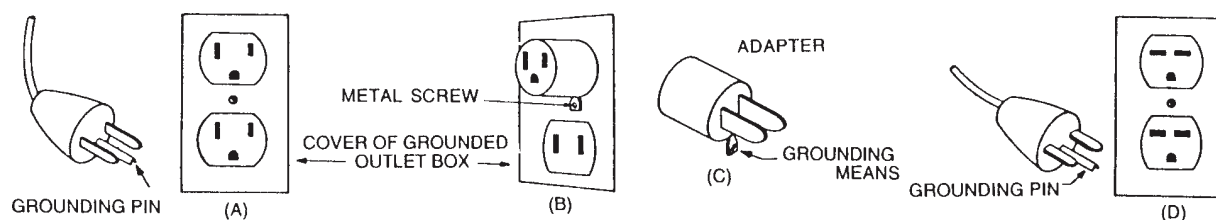
- Read Instructions Manual before operating this piece of equipment.
- To reduce the risk of fire use only commercially available floor cleaners and waxes intended for machine application
- Electrical motors and components can cause an explosion when operated near volatile materials and vapors. Do not use this machine near flammable materials such as solvents, thinners, fuels, grain dust, ect.

Electrical – 115V

This machine is designed to operate on a standard 15 amp, 115-Volt, 60hz, AC circuit. Voltages below 105-Volt AC or above 125-Volts AC could cause serious damage to the motor.

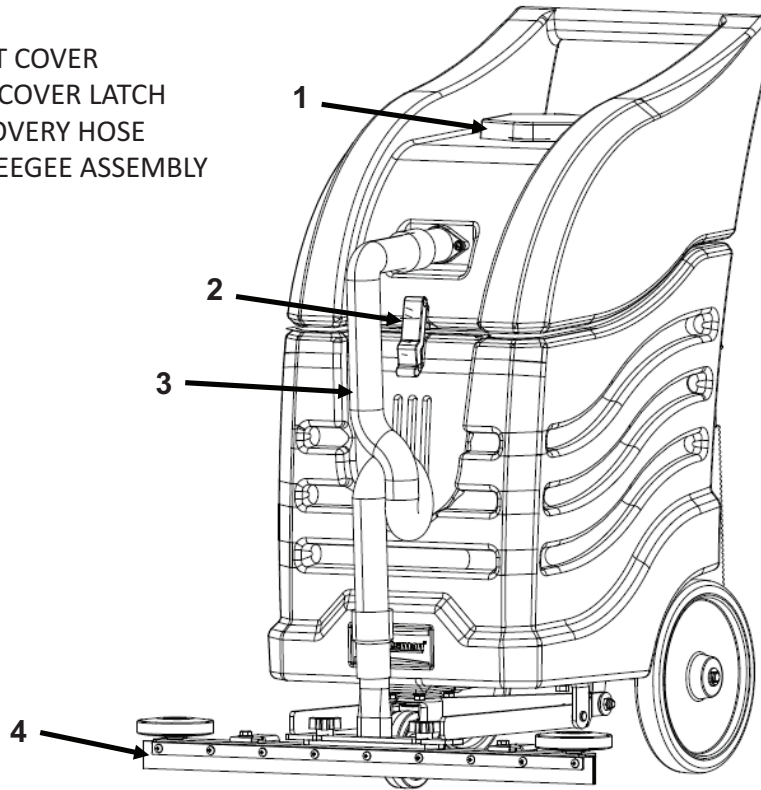
Grounding Instructions

- This machine should be grounded while in use to protect the operator from electric shock. The machine is equipped with a three-conductor cord and three prong grounding type attachment plug to fit the proper grounding type receptacle. The green (green and yellow) conductor in the cord is the grounding wire. Never connect this wire to anything other than the grounding blade.
- When plugging in the machine, it is intended for use on a 115-Volt (nominal) circuit. If a properly grounded receptacle, as shown in Sketch A, is not available, an adapter as shown in Sketch C, is available and be installed as shown in Sketch B if the outlet box that houses the receptacle is grounded. Be sure to fasten the grounding tab with the faceplate screw.

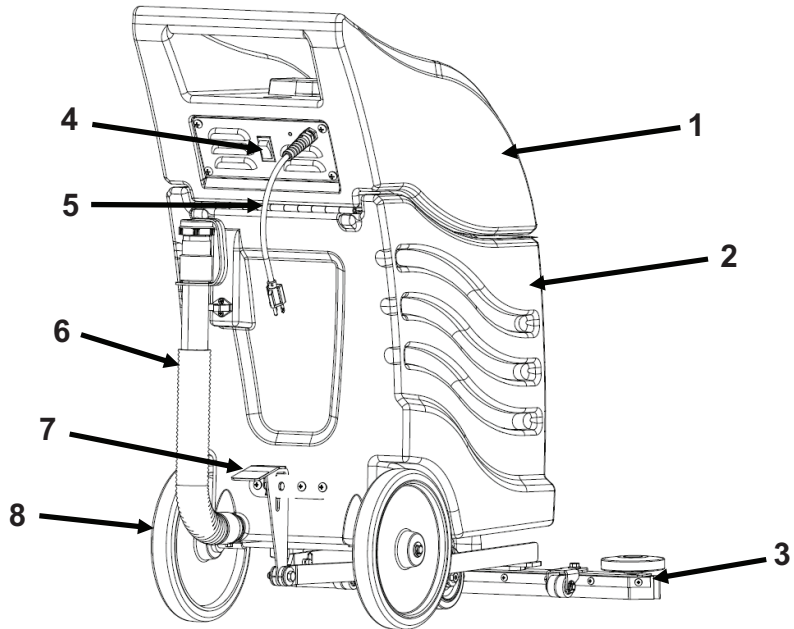


Machine Overview

1. VENT COVER
2. TOP COVER LATCH
3. RECOVERY HOSE
4. SQUEEGEE ASSEMBLY



1. TOP COVER
2. RECOVERY TANK
3. SQUEEGEE ASSEMBLY
4. ON/OFF SWITCH
5. CORD
6. DUMP HOSE
7. SQUEEGEE LIFT PEDAL
8. WHEELS



Operating Instructions

WET VACUUM

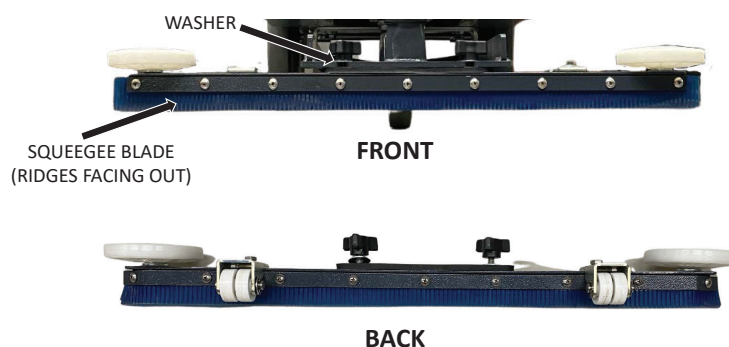
1. Remove cloth/paper bag from recovery tank.
2. Turn on main power switch.
3. Lower the squeegee using the squeegee lift pedal.
4. When recovery tank is full, move the unit to a drain and drain the tank using the dump hose.

DRY VACUUM

1. Install cloth/paper bag in recovery tank.
2. Disconnect solution hose, and install remote tool kit wand to the quick disconnect.
3. Turn on main power switch.

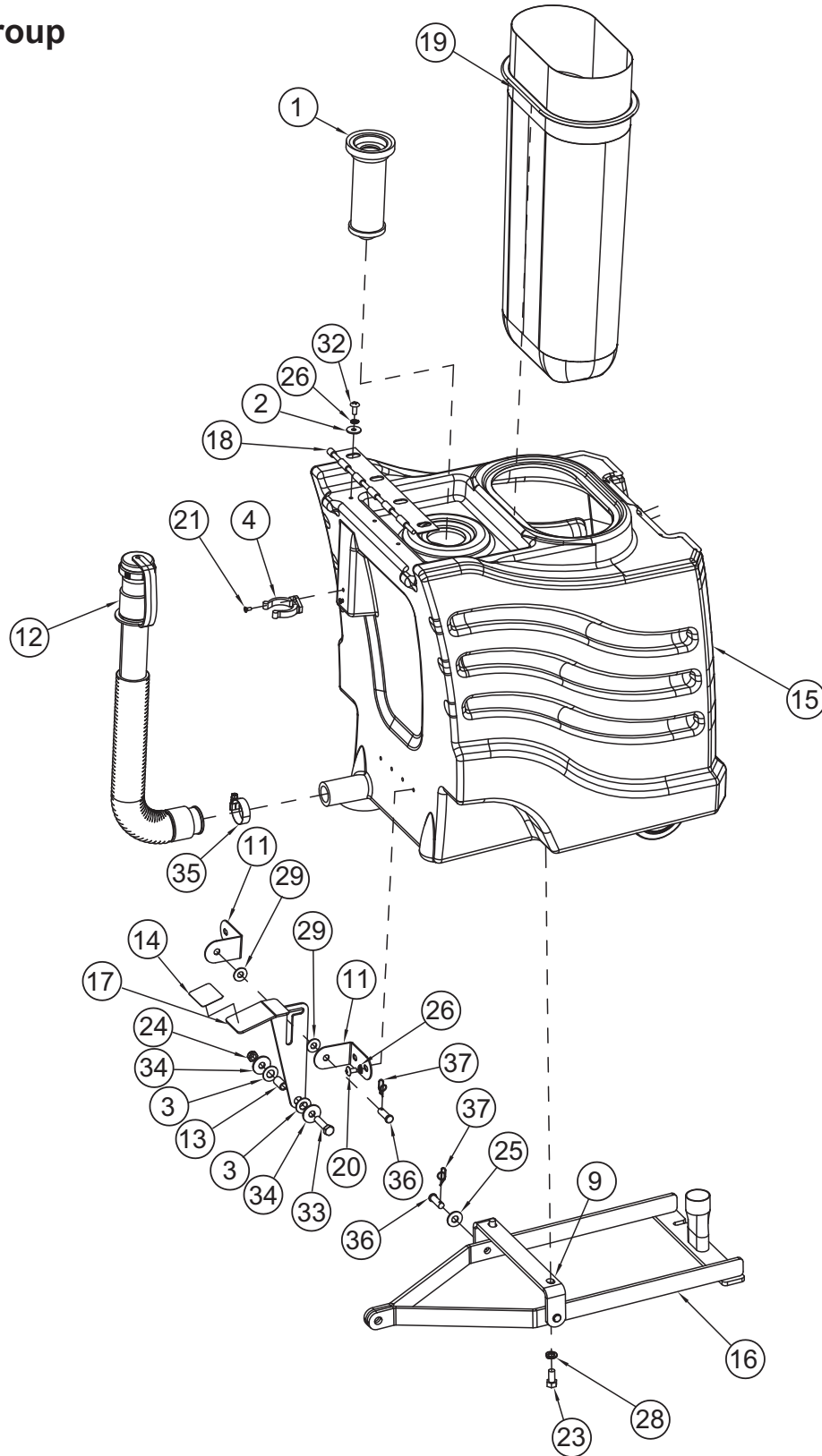
Squeegee Blade Replacement

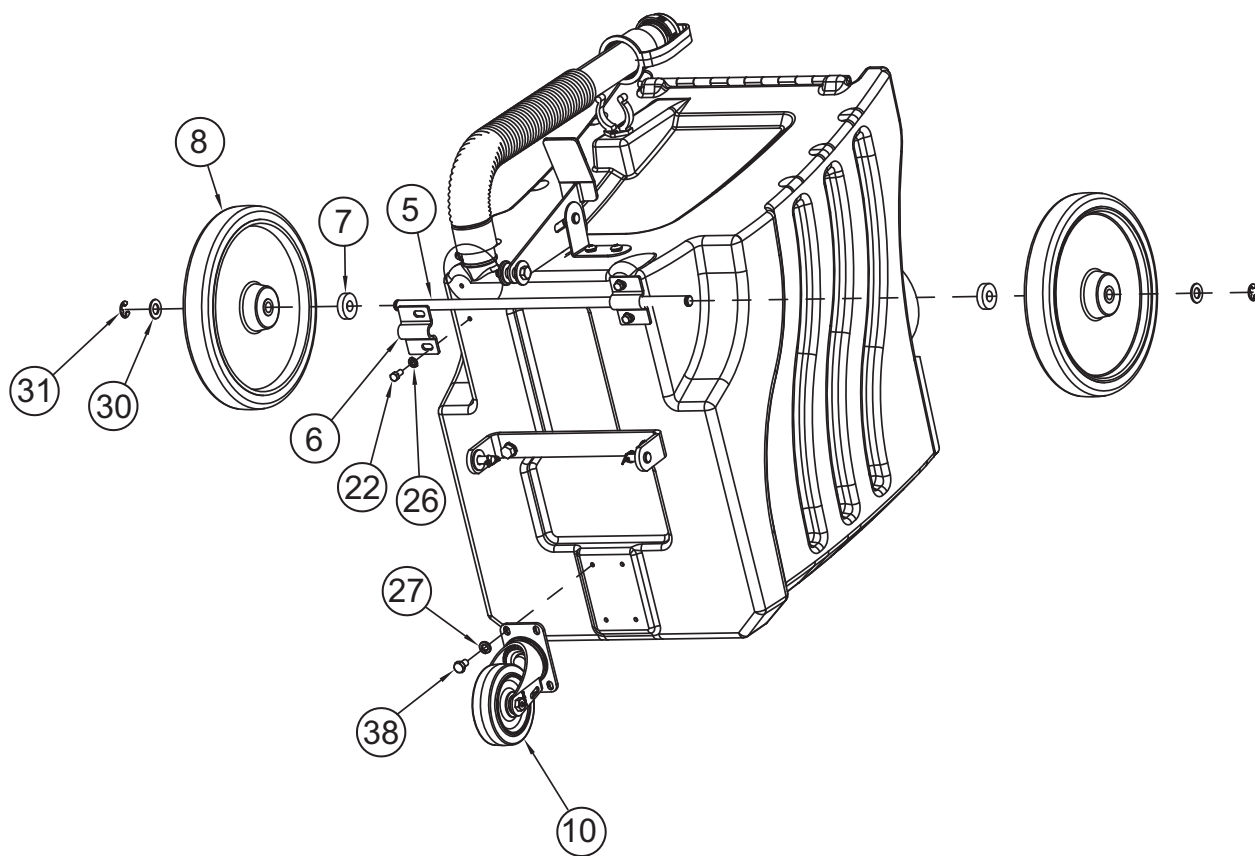
1. Turn off main power switch.
2. Use squeegee lift pedal to lift squeegee assembly.
3. Hand-loosen 3-sided knobs on squeegee assembly.
4. Slide squeegee assembly off the squeegee plate.
5. Remove screws from the front and back of the squeegee assembly.
6. Slide old blades off, and slide new ones on. (Ridges should be facing outward)
7. Replace screws.
8. Slide squeegee assembly back onto the squeegee plate. (Ensure that the washers are on TOP of the squeegee plate).
9. Hand-tighten 3-sided knobs.



Exploded Views

Recovery Tank Group



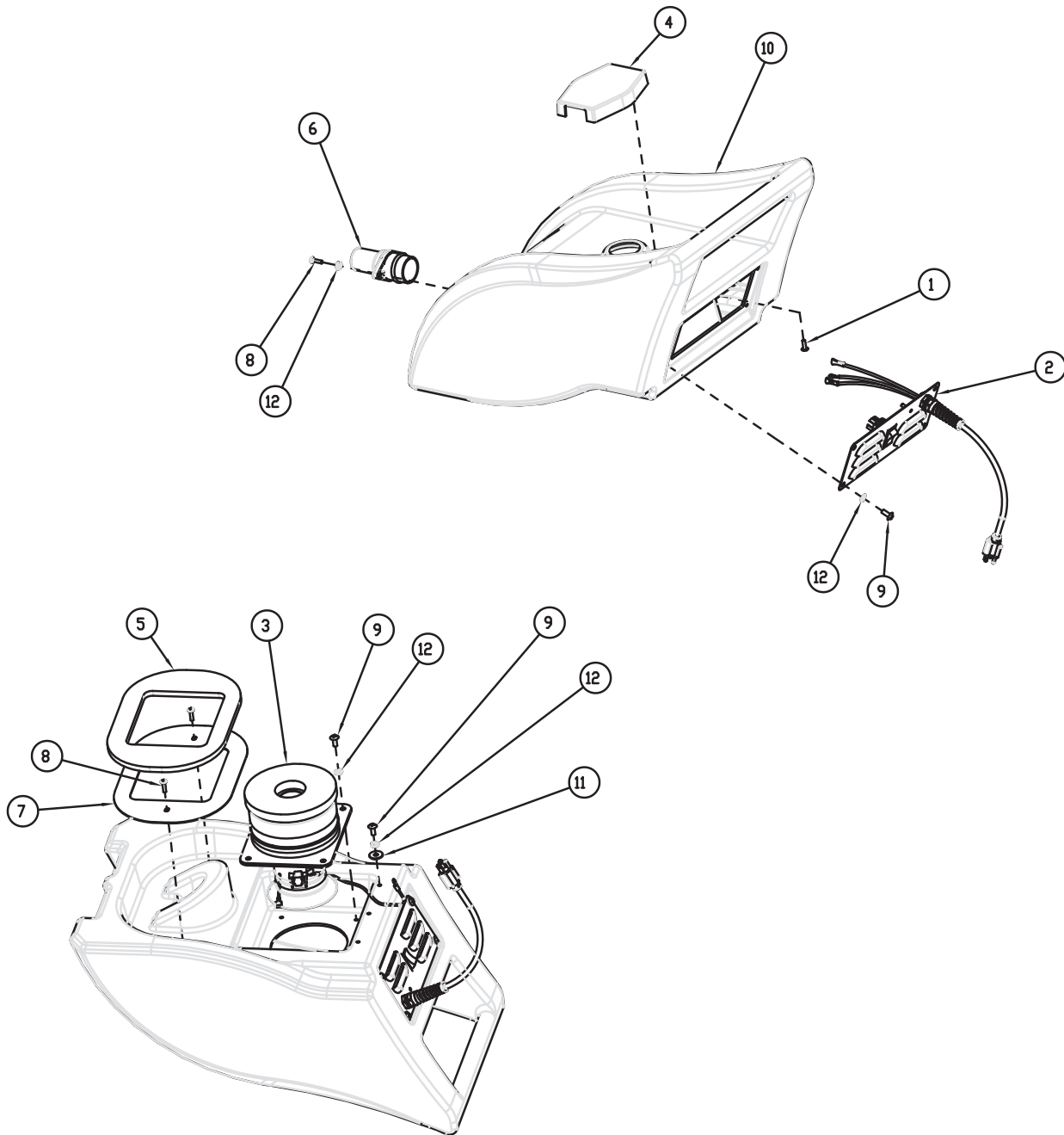


Recovery Tank Group BOM

BILL OF MATERIAL			
ITEM	PART NO.	QTY	DESCRIPTION
1	172132	1	FLOAT, SCREENED
2	173080	4	WASHER-FLAT .266 X .875 X .07 SS
3	245310	2	WASHER, NYLON, .510 B 1.00 OD .062 T
4	260579	1	CLIP-TOOL 1.5 INCH HOSE
5	511000	1	SHAFT, WHEEL
6	511001	2	BRACKET, WHEEL
7	511002	2	SPACER, SQUEEGEE
8	511003	2	WHEEL, MAIN
9	511004	1	PIVOT, SQUEEGEE
10	511005	1	CASTER, 5"
11	511009	2	SQUEEGEE, BRACKET
12	511014	1	HOSE, RECOVERY DRAIN
13	511043	1	BEARING-SLEEVE, .377 X .503 X .875
14	511046	1	PAD, ANTI-SKID, 1.50 X 2.00
15	511500	1	RECOVERY TANK, TSUNAMI
16	511501	1	WELDMENT, SQUEEGEE LIFTING BRACKET
17	511502	1	WELDMENT, PEDAL
18	511503	1	ASSEMBLY, HINGE, TOP COVER
19	511510	1	ASSEMBLY, BAG (WD ONLY)
20	710178	4	SCR-THMS 1/4-20 X .50 ZP
21	710528	2	SCR-FHMS 8-32 X .37 BRASS
22	711202	4	SCR-HH 1/4-20 X .50 ZP

BILL OF MATERIAL			
ITEM	PART NO.	QTY	DESCRIPTION
23	711241	2	SCR-HH 3/8-16 X .75 ZP GR 5
24	711375	1	NUT-NYLOC 3/8-16 ZP
25	711508	2	WASHER-FLAT 3/8 X 1.00 X .08 ZP
26	711544	12	WASHER-LOCK 1/4 SPLIT ZP
27	711545	4	WASHER-LOCK 5/16 SPLIT ZP
28	711546	2	WASHER-LOCK 3/8 SPLIT ZP
29	711546	2	WASHER-LOCK 3/8 SPLIT ZP
30	711592	2	WASHER-FLAT .506 X .940 X .064 NYLON
31	712353	2	RING-RETAINING E-CLIP 1/2 SS
32	712565	4	SCR-THMS 1/4-20 X .62 SS
33	713044	1	SCR-HH 3/8-16 X 1.50 ZP GR 5
34	717040	2	WASHER-FLAT M10.5 X 30 X 2.5 SS
35	3303255	1	CLAMP - SCREW 1" to 2" DIA 301SS
36	3400117	3	PIN-CLEVIS 3/8 x 1.125 ZP
37	3400125	3	RING-RUE 3/8
38	3400207	4	SCR-HH 5/16-18 X 0.50 ZP GR 5

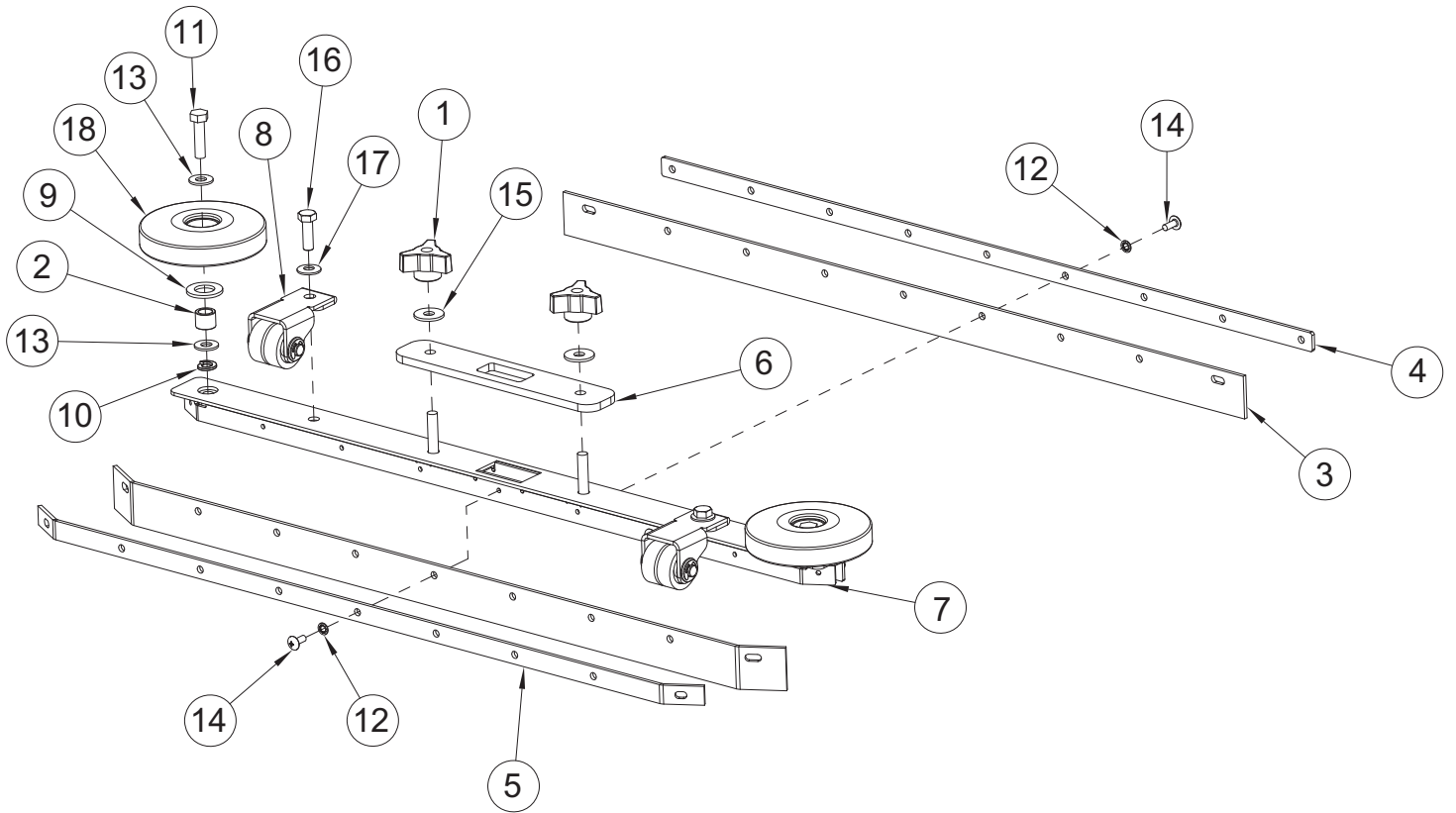
Tank Cover Assembly



Tank Cover Assembly BOM

BILL OF MATERIAL			
ITEM	PART NO.	QTY	DESCRIPTION
1	711160	4	SCR-HI/LO 10 X .625 BLACK ZINC
2	511506	1	ASSEMBLY, REAR COVER
3	511505	1	ASSEMBLY, VAC MOTOR
4	511029	1	COVER, AIR VENT
5	511025	1	GASKET, COVER
6	511024	1	ADAPTER, HOSE
7	511054	1	PLATE, GASKET SUPPORT
8	712813	4	SCR-PHMS 10-24 X .75 ZP
9	712565	11	SCR-THMS 1/4-20 X .62 SS
10	511504	1	TOP COVER, TSUNAMI
11	173080	3	WASHER-FLAT .266 X .875 X .07 SS
12	712758	13	WASHER-LOCK 1/4 SPLIT SS

Squeegee Assembly



Squeegee Assembly BOM

BILL OF MATERIAL			
ITEM	PART NO.	QTY	DESCRIPTION
1	210118	2	KNOB-3 SIDED 5/16 NYLOC
2	430322	2	BUSHING-.435 X .625 X .50 ZINC
3	511034	2	BLADE, SQUEEGEE PRIMOTHANE
4	511035	1	BRACKET, OUTER SQUEEGEE BLADE
5	511036	1	BRACKET, INNER SQUEEGEE BLADE
6	511042	1	GASKET, SQUEEGEE TOP
7	511507	1	WELDMENT, SQUEEGEE PLATE
8	511508	2	ASSEMBLY, CASTER
9	711527	2	WASHER-FLAT .63 X 1.12 X .09 ZP
10	712140	2	WASHER-LOCK 5/16 SPLIT SS
11	712576	2	SCR-HH 5/16-18 X 1.25 SS
12	712770	18	WASHER-INT TOOTH LOCK #10 SS
13	712772	4	WASHER-FLAT .344 X .75 X .06 SS
14	712822	18	SCR-THMS 10-24 X .50 SS
15	730526	2	WASHER-FENDER M8 X 24 SS
16	3400318	2	SCR-HH 5/16-18 X 1.00 SS
17	3400384	2	WASHER-CONICAL SPRING 5/16
18	90548397	2	ROLLER - PLASTIC, 100MM DIA. (4")

Wet/Dry Tool Kit (Included with T16WD)



Wet/Dry Tool Kit BOM

BILL OF MATERIAL			
ITEM	PART NO.	QTY	DESCRIPTION
1	282000	1	WAND 2PC S TYPE ALUM, 38MM ABS CPLNG
2	282001	1	HARD FLOOR TOOL, 38MM HORSE HAIR
3	282004	1	HAND TOOL 5" , 38MM
4	800605	1	14" SQUEE TL W/SLP-ON
5	282002	1	CARPET TOOL, 38MM
6	282005	1	CREVICE TOOL, 38MM
7	282003	1	DUST BRUSH 38MM
8	511513	1	HOSE, VACUUM 10'

“More Than Just Clean”

**Minuteman is a Full Line Manufacturer of Sweepers and Scrubbers,
for Industrial Facilities.**